



PATENT PENDING

tracrod

Mobile anchor system for confined spaces in the Utility industry

The tracrod 150 kg anchor rod is the first transportable, single-footed anchor point, with a working height of 1.50 m, designed to enable access via manholes.

tracrod

Mobile anchor system for confined spaces in the Utility industry

The tracrod 150 kg anchor rod is the first transportable, single-footed anchor point, with a working height of 1.50 m, designed to enable access via manholes. Ideal for applications where there is need for regular vertical access, such as confined spaces, pipes and sewer access. Due to its size and light weight it is particularly easy to transport and install.

QUALITY:

- Rod made of aluminium.
- Support mount made of 316L stainless steel.
- blocfor™ bracket made of painted steel.

ERGONOMICS:

- Very lightweight.
- Easy to install.
- Tool free installation (when support is fixed).

TECHNICAL CHARACTERISTICS:

- Weight: 5.5 kg (without accessories)
- Conforms to standard EN 795-A:2012
- Conforms to standard CEN/TS 16415:2017

FLEXIBILITY:

- Easy handling.
- Well suited for use as a transportable anchor point for working in confined spaces.
- Configuration can be varied to suit the work to be performed: with or without a blocfor™ bracket.
- Anchorage for 2 users of 150kg each.

SECURITY:

- Equipped with two 150 kg PPE anchor points.



Anchor point



tracrod base

The tracrod is ideal where there is a need to access several identical areas. The stainless steel bases are installed permanently at each site and the lightweight aluminium rod is then easily transported between sites.

APPLICATION POSSIBILITIES

- Manholes
- Pits
- Sewerod access
- Confined spaces
- Pipes

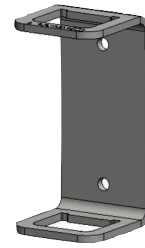
tracrod base

The tracrod base can be installed :

- On a concrete type reception structure using two chemical or mechanical dowels
- On a metal structure using two bolts

So that the tracrod can be installed in as many configurations as possible, Tractel® offers two optional accessories which can be fitted to the support mount :

- A 5 cm-thick spacer block fitted between the support structure and the support mount.
- A securing plate for low-density support structures.



Spacer Block

5 cm-thick spacer block:

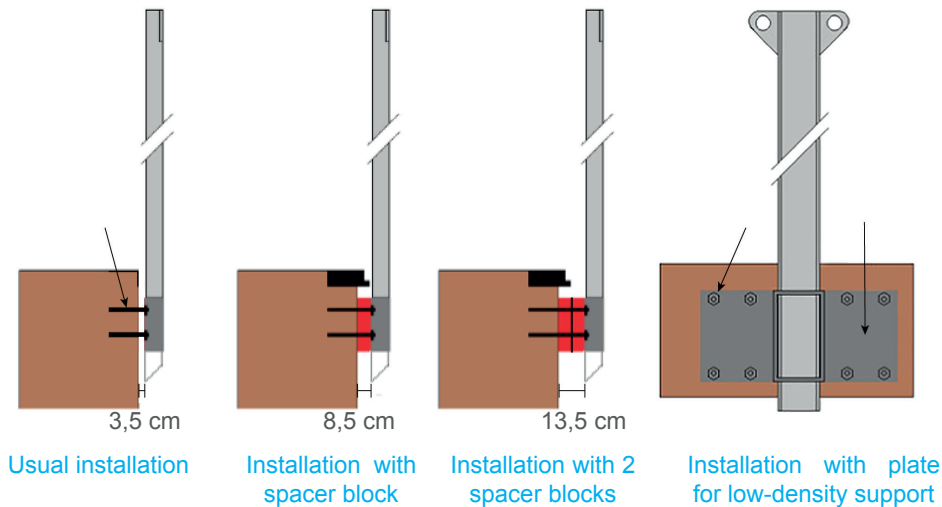
- When the opening plate of the manhole is not perfectly in alignment with the reception structure, the tracrod spacer must be installed to install the tracrod anchor rod in its base.
- Installed with 2 anchors.



- 1 Use with base
- 2 Base + 5cm-thick spacer block
- 3 Base + two 5cm-thick spacer block

Recommended tensile strength, for each : 18 000 N / 1 800 kg
Recommended shear strength, for each : 6 000 N / 600 kg

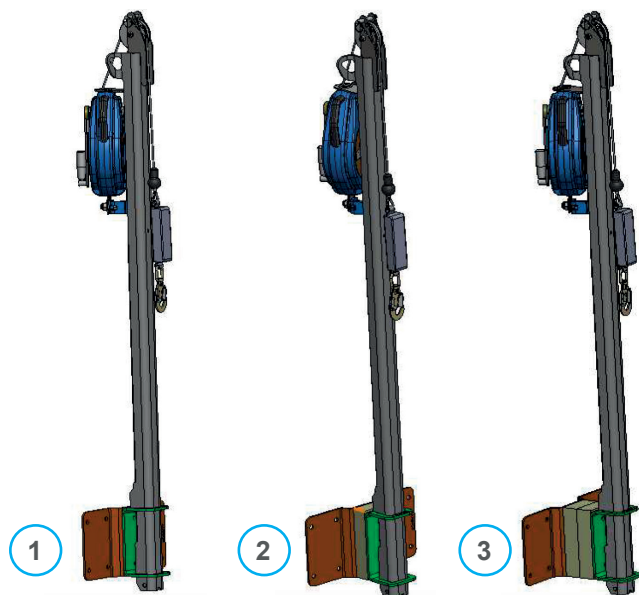
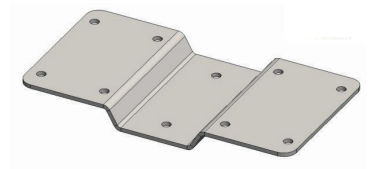
tracrod base



Securing Plate for Low Density Support Structures

Securing plate for low-density support structures:

- The fixing plate for low density materials has been studied to fix the anchoring rod in materials such as brick or limestone .
- Fastened using eight anchors.



- 1 Base + Securing plate for low-density support structures
- 2 Base + Securing plate for low-density support structures + 5cm-hick spacer block
- 3 Base + Securing plate for low-density support structures + two 5cm-hick spacer block

Recommended tensile strength, for each : 6 000 N / 600 kg
Recommended shear strength, for each : 1 500 N / 150 kg

tracrod

Mobile Anchor System for Confined Spaces in the Utility Industry



Installation of the tracrod

1 Step 1

Install the tracrod base : can be installed on a concrete structure using two chemical or mechanical dowels or on a metal structure using two bolts.

2 Step 2

Hold the tracrod anchor rod 150 kg with the side of the unlocking actuator facing the installer.

3 Step 3

Place the tracrod anchor rod 150 kg above the tracrod anchor base until it reaches the stop.

Removal of the tracrod

1 Step 1

Position yourself on the unlocking actuator side of the tracrod 150 kg anchor rod.

2 Step 2

Pull and hold the unlocking actuator.

3 Step 3

With the actuator held, remove the tracrod 150 kg anchor rod from the tracrod 150 kg anchor base.

Check the installation manual for more details & before all installation..

Model name	Product code
tracrod 150 kg anchor rod	207128
tracrod 150 kg support mount	207118
bracket + blocfor™ 20R for tracrod 150 kg	081492
bracket + blocfor™ 30R for tracrod 150 kg	081502
5 cm-thick spacer block	207358
Securing plate for low-density support structures	207368
blocfor™ bracket for tracrod	207108

Tractel® supports you in your project and offers you a wide range of individual and collective protection that secures the operations.
Contact us for more information!

TRIED, TESTED, TRACTEL®

www.tractel.com

GLOBAL REACH



NORTH AMERICA

CANADA

Tractel Ltd.
1615 Warden Avenue
Toronto, Ontario M1R 2T3, Canada
Phone: +1 800 465 4738
Fax: +1 416 298 0168
Email: marketing.swingstage@tractel.com

11020 Mirabeau Street
Montréal, QC H1J 2S3, Canada
Phone: +1 800 561 3229
Fax: +1 514 493 3342
Email: tractel.canada@tractel.com

MÉXICO

Tractel México S.A. de C.V.
Galileo #20, O cina 504.
Colonia Polanco
México, D.F. CP. 11560
Phone: +52 55 6721 8719
Fax: +52 55 6721 8718
Email: tractel.mexico@tractel.com

USA

Tractel Inc.
51 Morgan Drive
Norwood, MA 02062, USA
Phone: +1 800 421 0246
Fax: +1 781 826 3642
Email: tractel.usa-east@tractel.com

168 Mason Way
Unit B2
City of Industry, CA 91746, USA
Phone: +1 800 675 6727
Fax: +1 626 937 6730
Email: tractel.usa-west@tractel.com

BlueWater L.L.C

4064 Peavey Road
Chaska, MN 55318, USA
Phone: +1 866 579 3965
Email: info@bluewater-mfg.com

Fabenco, Inc

2002 Karbach St.
Houston, Texas 77092, USA
Phone: +1 713 686 6620
Fax: +1 713 688 8031
Email: info@safetygate.com

EUROPE

GERMANY

Tractel Greifzug GmbH
Scheidtbachstrasse 19-21
51469 Bergisch Gladbach, Germany
Phone: +49 22 02 10 04-0
Fax: +49 22 02 10 04 70
Email: info.greifzug@tractel.com

LUXEMBOURG

Tractel Secalt S.A.
Rue de l'Industrie 12
B.P 1113 - 3895 Foetz, Luxembourg
Phone: +352 43 42 42-1
Fax: +352 43 42 42-200
Email: secalt@tractel.com

SPAIN

Tractel Ibérica S.A.
Carretera del Medio, 265
08907 L'Hospitalet del Llobregat
Barcelona, Spain
Phone : +34 93 335 11 00
Fax : +34 93 336 39 16
Email: infotib@tractel.com

FRANCE

Tractel S.A.S.
RD 619 Saint-Hilaire-sous-Romilly
BP 38 Romilly-sur-Seine
10102, France
Phone: +33 3 25 21 07 00
Email: info.tsas@tractel.com

IFMS S.A.S.

32, rue du Bois Galon
94120 Fontenay sous Bois, France
Phone: +33 1 56 29 22 22
E-mail: ifms.tractel@tractel.com

Tractel Solutions S.A.S.

77-79, rue Jules Guesde
69230 St Genis-Laval, France
Phone: +33 4 78 50 18 18
Fax: +33 4 72 66 25 41
Email: info.tractelsolutions@tractel.com

GREAT BRITAIN

Tractel UK Limited
Old Lane Halfway
Sheffield S20 3GA, United Kingdom
Phone: +44 114 248 22 66
Email: sales.uk@tractel.com

ITALY

Tractel Italiana SpA
Viale Europa 50
Cologno Monzese (Milano) 20093,
Italy
Phone: +39 02 254 47 86
Fax: +39 02 254 71 39
Email: infoit@tractel.com

NETHERLANDS

Tractel Benelux BV
Paardeweide 38
Breda 4824 EH, Netherlands
Phone: +31 76 54 35 135
Fax: +31 76 54 35 136
Email: sales.benelux@tractel.com

PORTUGAL

Lusotractel Lda
Bairro Alto Do Outeiro Armazém 1
Trajouce, 2785-653 S. Domingos
de Rana, Portugal
Phone: +351 214 459 800
Fax: +351 214 459809
Email: comercial.lusotractel@tractel.com

POLAND

Tractel Polska Sp. z o.o.
ul. Byslawska 82
Warszawa 04-993, Poland
Phone: +48 22 616 42 44
Fax: +48 22 616 42 47
Email: tractel.polska@tractel.com

NORDICS

Tractel Nordics
(Scanclimber OY)
Turkkirata 26
FI - 33960
Pirkalla, Finland
Phone: +358 10 680 7000
Fax: +358 10 680 7033
E-mail: tractel@scanclimber.com

RUSSIA

Tractel Russia O.O.O.
Olympiysky Prospect 38, Office 411
Mytishchi, Moscow Region
141006, Russia
Phone: +7 495 989 5135
Email: info.russia@tractel.com

ASIA

CHINA

Shanghai Tractel Mechanical Equip. Tech. Co. Ltd.
2nd oor, Block 1, 3500 Xiupu road,
Kangqiao, Pudong,
Shanghai, People's Republic of China
Phone: +86 21 6322 5570
Fax : +86 21 5353 0982

SINGAPORE

Tractel Singapore Pte Ltd
50 Woodlands Industrial Park E7
Singapore 757824
Phone: +65 6757 3113
Fax: +65 6757 3003
Email: enquiry@tractelsingapore.com

UAE

Tractel Secalt SA Dubai Branch
Office 1404, Prime Tower Business Bay
PB 25768 Dubai, United Arab
Emirates
Phone: +971 4 343 0703
Email: tractel.me@tractel.com

INDIA

Secalt India Pvt Ltd.
412/A, 4th Floor, C-Wing, Kailash
Business Park, Veer Savarkar Road,
Parksite, Vikhroli West,
Mumbai 400079, India
Phone: +91 22 25175470/71/72
Email: info@secalt-india.com

TURKEY

Knot Yapı ve İş Güvenliği San.Tic. A.Ş.
Cevizli Mh. Tugay Yolu CD.
Nuvo Dragos Sitesi
A/120 Kat.11 Maltepe
34846 Istanbul, Turkey
Phone: +90 216 377 13 13
Fax: +90 216 377 54 44
Email: info@knot.com.tr

ANY OTHER COUNTRIES:

Tractel S.A.S.

RD 619 Saint-Hilaire-sous-Romilly
BP 38 Romilly-sur-Seine
10102, France
Phone: +33 3 25 21 07 00
Fax: +33 3 25 21 07 11
Email: info.tsas@tractel.com



www.tractel.com

